



YOU CAN'T AFFORD NOT
TO HAVE ONE!™

Installation Instructions
Water Warden™ Above Ground Pool Fence



SAFETY REMINDERS:

WARNING:

THERE IS NO SUBSTITUTE FOR COMPETENT ADULT SUPERVISION AROUND A SWIMMING POOL. THE WATER WARDEN™ POOL FENCE IS NOT DESIGNED TO BE A SUBSTITUTE FOR ADULT SUPERVISION, NOR IS IT A GUARANTEE AGAINST ACCESS TO THE POOL.

- Any pool safety product is only effective as a level of protection against unauthorized pool access if used correctly.
- Layers of protection around your pool, such as a fence or wall can reduce unauthorized use if used correctly.
- Pool entrance should always have a self closing and latching gate that is properly maintained.
- Never leave children unattended near pool.
- Check local building codes before installation to be sure you are in compliance with local safety regulations.
- The Water Warden™ Above Ground Pool Fence is designed to meet the ANSI/NSPI – 1996 Model Barrier Code for Above Ground or On Ground swimming pools. The Water Warden™ Above Ground Pool Fence is not intended to be a handrail around the pool and does NOT meet handrail codes.

Installation Instructions ***Water Warden™ Above Ground Pool Fence***

Before you start:

Inspect pool for any irregularities which may interfere with location of fence mounting brackets and posts. Locate pool skimmer to ensure that it will not hinder pool fence installation.

Necessary tools and materials:

Electric power drill with Phillips head screwdriver
Saw
Measuring Tape
Pencil
Adhesive glue, such as “Liquid Nails”

Installing the Fence:

1. Assemble mounting brackets. Slide bottom fence support into mounting bracket. Screw 2 #8 screws into each side of the support, attaching it to the mounting bracket. Ensure that support is inserted flush to the back of the mounting base. *See Fig. 1*

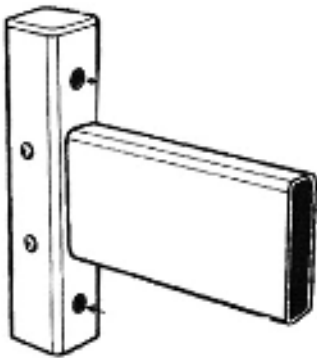


Fig. 1

2. Install mounting brackets. One mounting bracket should be attached to each of the pool's uprights. Brackets should be attached so that there is a **maximum** of 4" between the pool's top-rail and the bottom rail of the fence. *See Fig 2*

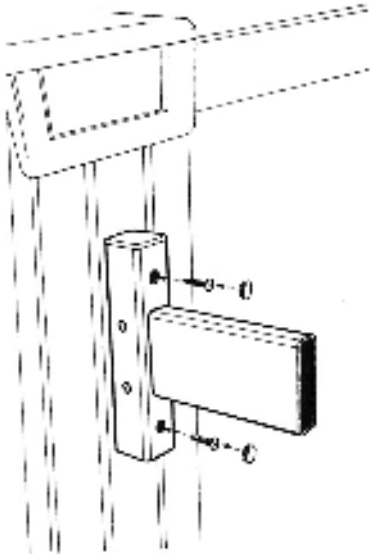


Fig. 2

How to determine bracket spacing:

Slide one fence post into a mounting bracket but do NOT permanently attach to bracket yet. Place this bracket up against a pool upright. Measure the space between the pool's top-rail and the hole in the bottom rail of the fence. An acceptable gap is anywhere from 1-4". Mark the position of the bracket with a pencil. Remove the fence rail from the bracket and attach mounting bracket to upright using two #12x1 self-tapping screws. Once bracket is attached, measure the gap between the bottom of the pool's top-rail and the top of the bracket. Use this measurement to attach the rest of the brackets in the same way.

NOTE: It is extremely important to keep the spacing of the brackets consistent on each upright, as this will determine the levelness of the fence.

2a. For pools with a deck or A-Frame Ladder:

Position the ladder right next to one of the pool's uprights. This upright will hold the fence on one side. You will use a 4x4 wooden post on the other side to act as a "substitute upright" in order to hold the fence on the other side of the ladder. Determine the location of the 4x4 post and dig a hole approximately 6" into the ground. Measure the distance from the bottom of the hole to the top of the pool and cut the 4x4 post to fit this size. Place the 4x4 post into the hole flush with the pool wall, tucking the top of the post under the top-rail of the pool. Attach the post to the top-rail by screwing down into the post through the top-rail with a 2" sheet metal screw. Fill in around the base of the 4x4 post with dirt, packing it well to ensure stability. Attach a support bracket to this "substitute upright" as described above in **step 2**. **See Fig. 3**

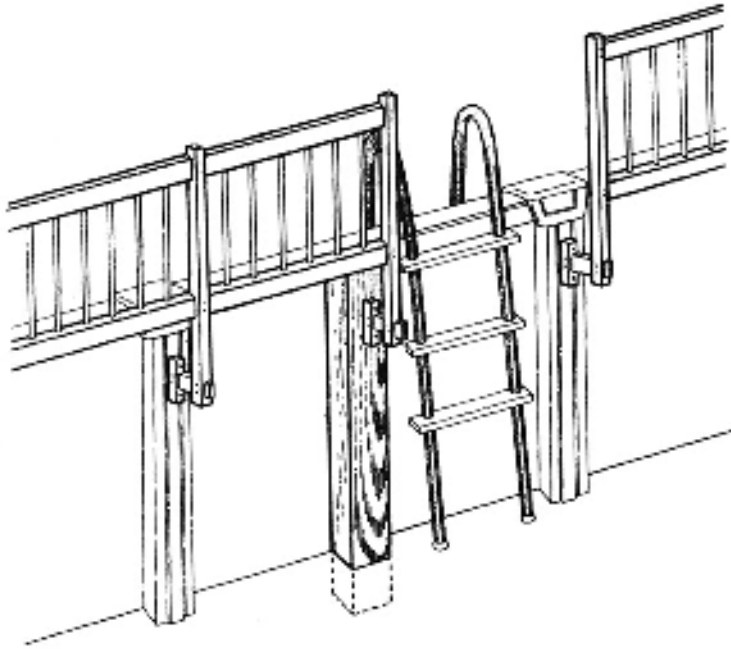


Fig. 3

NOTE: *Ensure that pool entrance has a self-closing and latching gate.*

3. Install Fence Posts.

The fence end-posts must be installed first. You can identify the end-posts by the pre-cut rail holes. The end-posts have holes on only ONE side. The end-posts should be installed into the brackets where the fence will begin and end. Slide a fence post into the pre-installed mounting brackets. Allow a minimum of ½” between the post and the pool’s top-cap. This space will allow for installation of a winter cover over the pool. Attach the fence post to the bracket support using 4 #8 screws. . Mount the remaining fence posts to the brackets in the same way. Ensure that the spacing between the post and the pool’s top-cap is consistent throughout. *See Fig. 4*

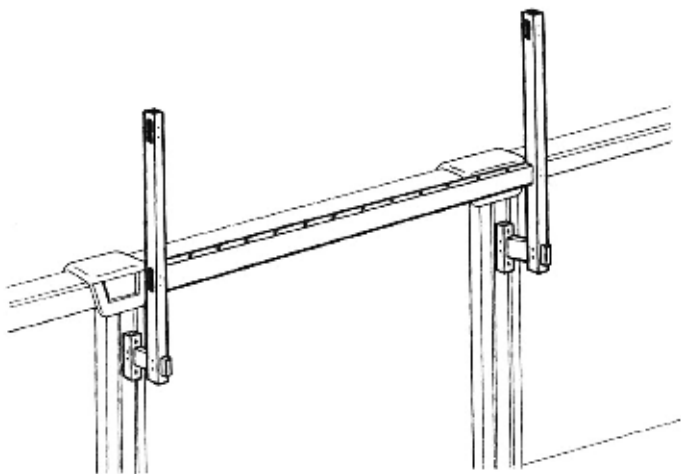


Fig. 4

4. Install Fence Bottom-Rail.

Measure the distance between any two fence posts and add 1" to the measurement. Cut bottom rail to this size. Cut off equal amounts from the two ends of the bottom rail to ensure even spacing of the spindle holes. Each side of the bottom rail should extend ½" on each side into the fence post. Measure and repeat **SEPARATELY** for each section of bottom rail, as distance between each pool upright may vary.

See Fig. 5

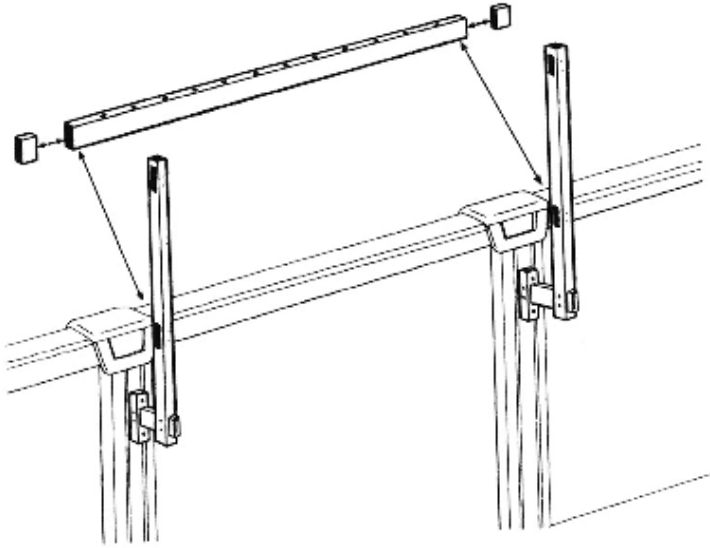


Fig. 5

5. Install fence spindles.

Insert one spindle into each spindle hole, all around the bottom rail of the fence. *See Fig. 6*

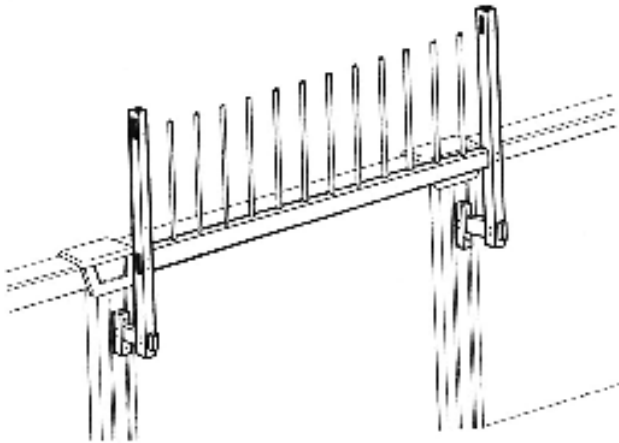


Fig. 6

6. Install Fence Top-Rail.

Cut and attach top-rail following the same instructions as for bottom rail, above in **Step 4**. **Make sure to keep top rail spacing even and consistent so that spindles will fit into spindle holes.** *See Fig. 7*

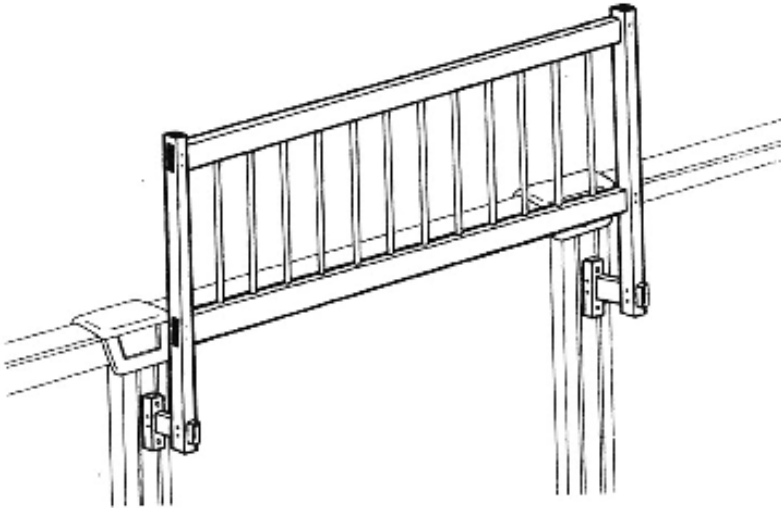


Fig. 7

7. Install Fence End-Caps.

Insert one white end-cap into the top of each post, at the top of each bracket and at the end of each fence support. Use glue such as “Liquid Nails” if necessary, to hold the top-caps in place. *See Fig. 8*

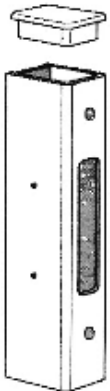


Fig. 8

CHECK STABILITY AND SECURITY OF FENCE BY LIGHTLY TUGGING ON EACH SECTION OF FENCE TO BE SURE ALL SCREWS ARE TIGHTENED AND SECURE.

SAFETY REMINDERS:

WARNING:

THERE IS NO SUBSTITUTE FOR COMPETENT ADULT SUPERVISION AROUND A SWIMMING POOL. THE WATER WARDEN™ POOL FENCE IS NOT DESIGNED TO BE A SUBSTITUTE FOR ADULT SUPERVISION, NOR IS IT A GUARANTEE AGAINST ACCESS TO THE POOL.

- Any pool safety product is only effective as a level of protection against unauthorized pool access if used correctly.
- Layers of protection around your pool, such as a fence or wall can reduce unauthorized use if used correctly.
- Pool entrance should always have a self closing and latching gate that is properly maintained.
- Never leave children unattended near pool.
- Check local building codes before installation to be sure you are in compliance with local safety regulations.
- The Water Warden™ Above Ground Pool Fence is designed to meet the ANSI/NSPI – 1996 Model Barrier Code for Above Ground or On Ground swimming pools. The Water Warden™ Above Ground Pool Fence is not intended to be a handrail around the pool and does NOT meet handrail codes.

To activate 5 year limited warranty, register within 10 days of purchase at
www.thewaterwarden.com
or return completed warranty form on back page to:

Water Warden™ Pool Safety Products
4837 NE 12th Ave
Oakland Park, FL 33334

Water Warden™ Pool Fence Five Year Limited Warranty/One Year Full

1. The Manufacturer warrants that the Water Warden™ Pool Fence is free from defects in workmanship and materials for a period of five (5) years.
2. This warranty extends to the original purchaser of the Water Warden™ Pool Fence only.
3. This warranty covers materials and workmanship but does not cover incidental or consequential damages, metal finishes or installation of the Water Warden™ Pool Fence. Installation is warranted by the installer only, and only to the extent of express warranties provided by the installer.
4. In the event of a defect or other failure of the Water Warden™ Pool Fence not caused by any misuse, abuse, neglect, improper maintenance or damage to the Water Warden™ Pool Fence while in possession of consumer, manufacturer will remedy the failure or defect, without charge to the consumer. The remedy will consist of repair or replacement of the product, at the warrantor's option.
5. If manufacturer is unable to provide replacement or repair, a refund will apply as follows: manufacturer will refund what is unserviceable during the first year; after the first year the Water Warden™ Pool Fence will be refunded at a rate of 1/84 of MSRP for each month remaining of the 84 months from the original purchase date.
6. If the Water Warden™ Pool Fence is reported to be unserviceable, the Water Warden™ Pool Fence must be made available to manufacturer's representative to determine its serviceability.
7. We reserve the right to inspect the Water Warden™ Pool Fence for any claim against this warranty, to determine the cause of failure or loss of serviceability.

CUSTOMER HAS THE SOLE RESPONSIBILITY FOR PERIODICALLY INSPECTING PRODUCT AND REPORTING DEFECTS OR FAILURES. THIS WARRANTY SHALL NOT APPLY TO ANY ITEM WHICH HAS BEEN IMPROPERLY ASSEMBLED, INSTALLED, USED, STORED, OR MAINTAINED. THIS WARRANTY SHALL NOT APPLY TO ANY ITEM WHICH HAS BEEN REPAIRED OR SERVICED BY ANY OTHER THAN A CERTIFIED REPRESENTATIVE OF THE MANUFACTURER. THIS WARRANTY SHALL NOT APPLY TO ANY ITEM WHICH HAS BEEN SUBJECTED TO EXTERNAL SOURCES OF HEAT SUCH AS, BUT NOT LIMITED TO, POOL HEATERS, COOKING DEVICES OR OPEN FLAMES. THIS WARRANTY SHALL NOT APPLY TO ANY ITEM THAT HAS BEEN SUBJECTED TO MISUSE, ACCIDENTS OR ACTS OF GOD. MANUFACTURER DOES NOT WANT TO CREATE A FALSE SENSE OF SECURITY. THE WATER WARDEN™ POOL FENCE IS NOT INTENDED TO BE A SUBSTITUTE FOR PROPER ADULT SUPERVISION NOT IS IT A GUARANTEE AGAINST ACCESS TO THE POOL.

WARNING!
**THERE IS NO SUBSTITUTE FOR
COMPETENT ADULT SUPERVISION
IN A SWIMMING POOL
ENVIRONMENT! NO POOL SAFETY
PRODUCT IS A GUARANTEE
AGAINST UNAUTHORIZED ACCESS
TO A POOL.**

To file a claim:
Please call 1-877-402-SAFE (7233)
Monday – Friday
8:00 AM – 4:30 PM Eastern Time
Please allow 2-4 weeks for
warranty claims to be processed.

**Water Warden™ Above Ground Pool Fence
Five Year Limited Warranty/One Year Full**

Register your warranty at www.thewaterwarden.com or return this
completed warranty registration and copy of purchase receipt, within ten days of purchase to:

**Water Warden™ Pool Safety Products
4837 NE 12th Ave,
Oakland Park FL 33334**

Purchaser's Name: (please print) _____ Purchase Date: _____
Address: _____
Phone Number: _____ Size of Pool: _____
Dealer's Name: _____
Dealer's Address: _____
Dealer's Phone Number: _____ Dealer's Email: _____
Purchaser's Signature: _____