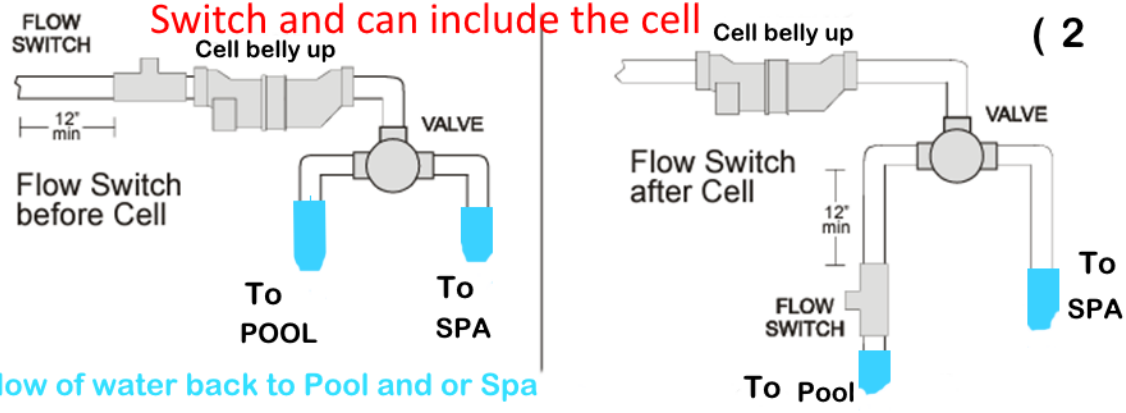


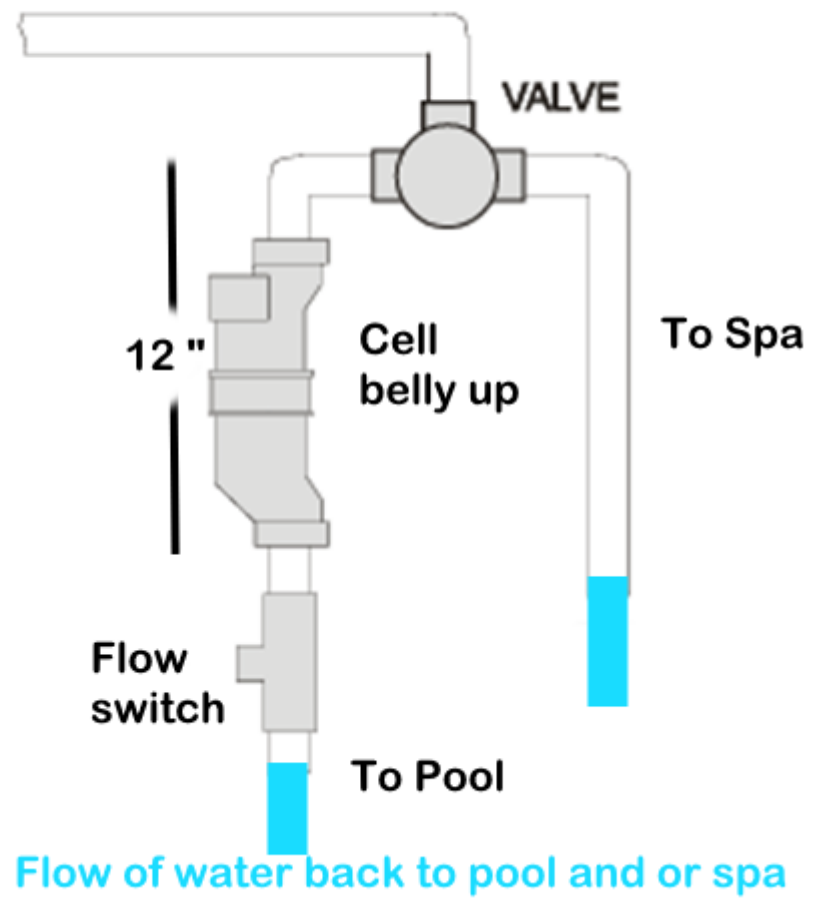
1) Must have at least 12" Horizontal straight run for Flow Switch and can include the cell ( 2



Flow of water back to Pool and or Spa

3)

### Flow switch plumbed after cell with 12" clearance



Flow of water back to pool and or spa

Configurations shown allow for both pool and spa during spa spillover mode preventing over chlorination of spa