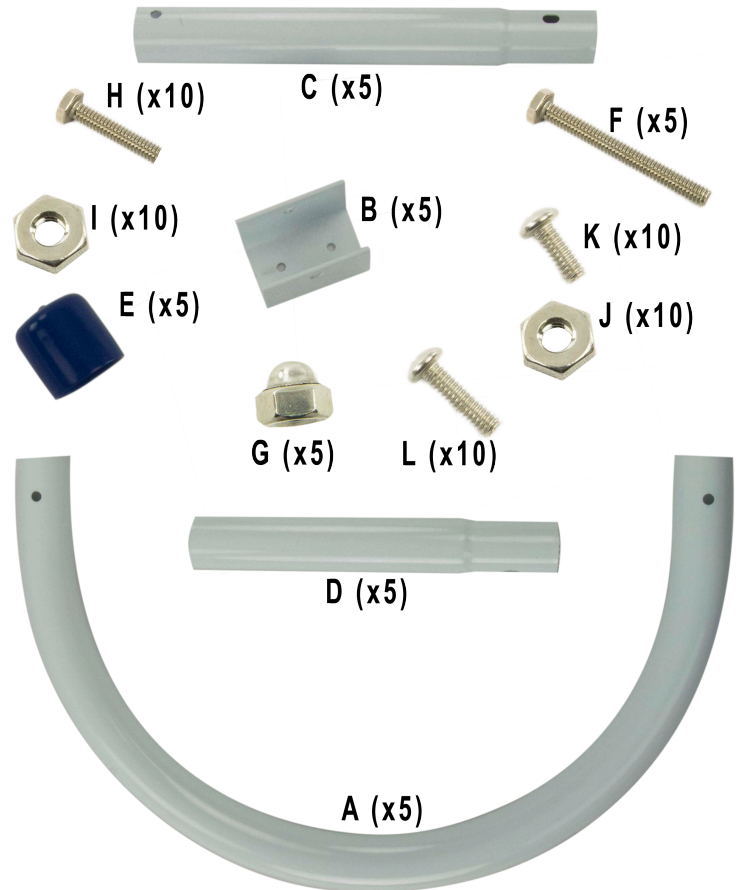


SOLAR POCKET™ Instruction Manual

Thank you for your purchase!

Parts List

- A.) 5 - U-shape Tube
- B.) 5 - Mounting Brackets
- C.) 5 - 11^{1/8}" Tubes
- D.) 5 - 8^{3/4}" Tubes
- E.) 5 - Caps
- F.) 5 - 1/4" x 2^{1/4}"
- G.) 5 - 1/4" Acorn Nuts
- H.) 10 - 1/4" x 1^{1/2}" Stainless Steel Bolts
- I.) 10 - 1/4" Stainless Steel Nuts
- J.) 10 - #10 Stainless Steel Nuts
- K.) 10 - #10 x 1/2" Stainless Steel Bolts*
- L.) 10 - #10 x 3/4" Stainless Steel Bolts*



Tools Required

The following are needed to complete installation.

- 1) Measuring Tape
- 2) Philips Screwdriver
- 3) Crescent Wrench
- 4) Drill
- 5) 1/4" Drill Bit

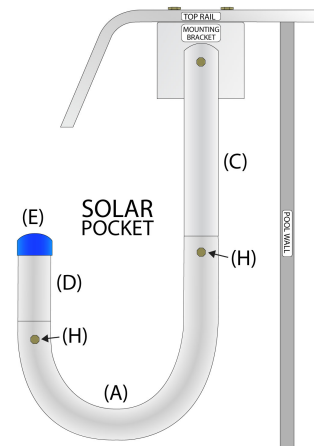


WARNING

- Do not: stand, sit, jump or climb on the Solar Pocket™. Doing so can lead to serious injury or death.
- Product is not intended for any other use than described above & below.
- Do not leave children or pets unattended around Solar Pocket™.

Assembly

- 1.) Insert 11^{1/8}" tube (C) into U-shape tube (A), secure using 1/4 x 1^{1/2}" stainless steel bolt (H) and nut (I).
- 2.) Insert 8^{3/4}" tube (D) into U-shape tube (A), secure using 1/4 x 1^{1/2}" stainless steel bolt (H) and nut (I).
- 3.) Place cap (E) on short end of Solar Pocket™ (D) tube, where no hole is present. Note: Repeat steps above for assembly of remaining tubes.



SOLAR POCKET™ Instruction Manual

Installation

For Round and Oval Above ground Pools *For small size pools, refer to step (5) for optimal placement*

Please note: Based on your pool size, adjustment will need to be made. A minimum of 2 - 2½ ft. of cover will extend beyond end brackets; this will allow for even spacing of Solar Pocket™ brackets.

1.) Select optimal location on your pool to install Solar Pocket™.

Normally, it should be opposite of your deck or on the far end of your pool.

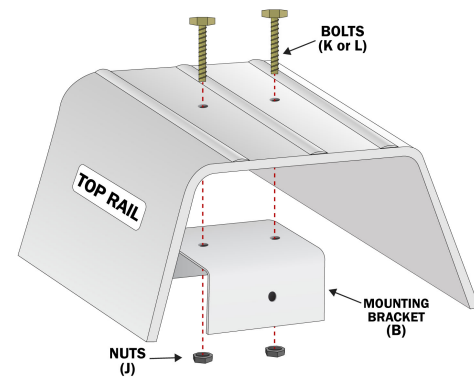
2.) Once location is selected, position center bracket (**B**) under top rail.

Drill holes and secure with #10 stainless steel bolts and nuts (**K / L & J**).

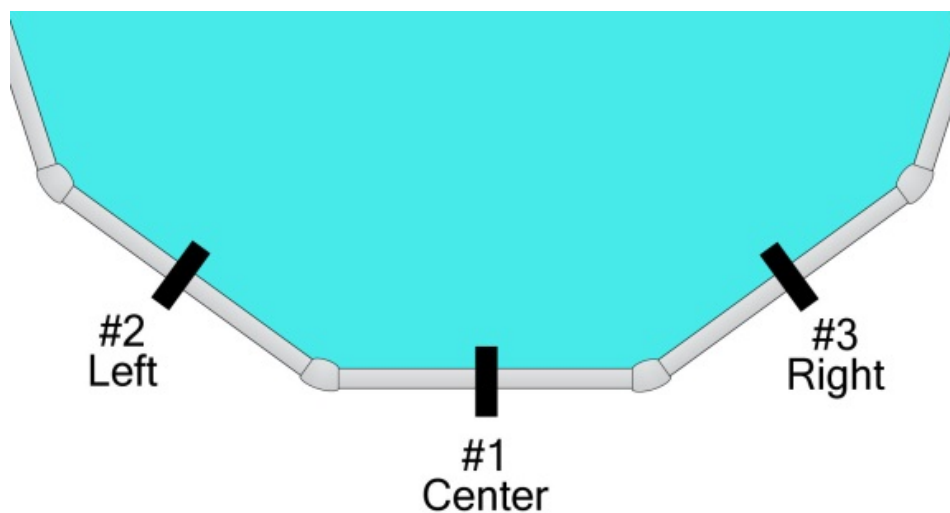
Please Note: 2½" of clearance is needed under top rail to properly install brackets.

Letter **K** hardware is used for pools with metal top rails.

Letter **L** hardware is used for pools with vinyl top rails.



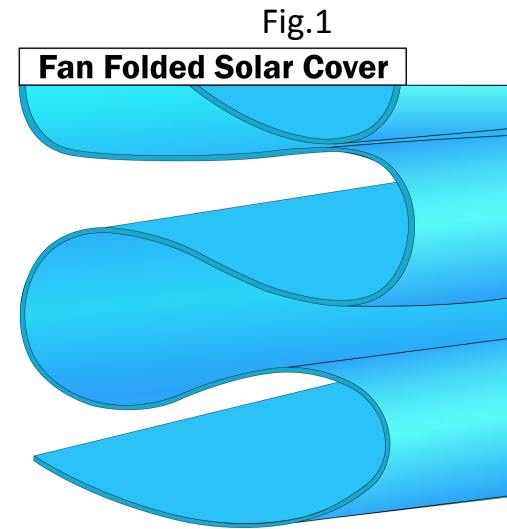
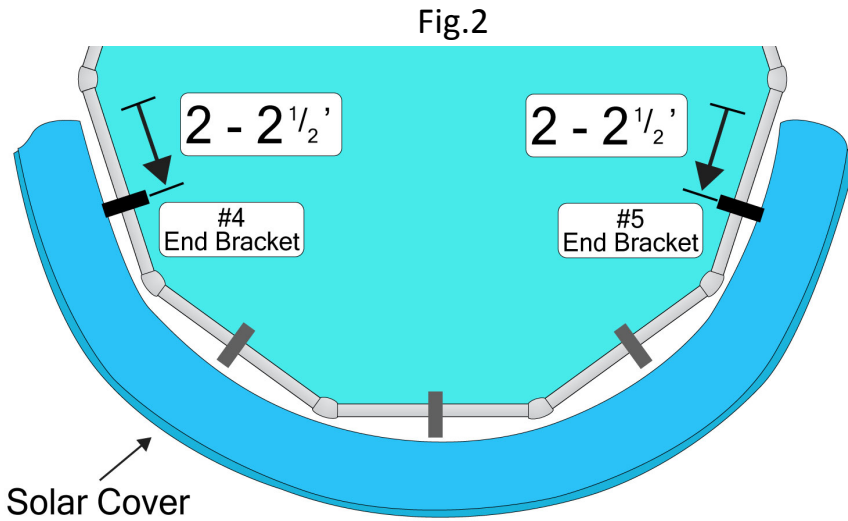
3.) Attach a bracket (**B**) to the left and right of center bracket. Centering them between pool wall uprights, secure with #10 stainless steel bolts (**K/L**) and #10 stainless steel nuts (**J**)



Please Note: For remaining mounting bracket installation, follow steps 2, 3, & 4

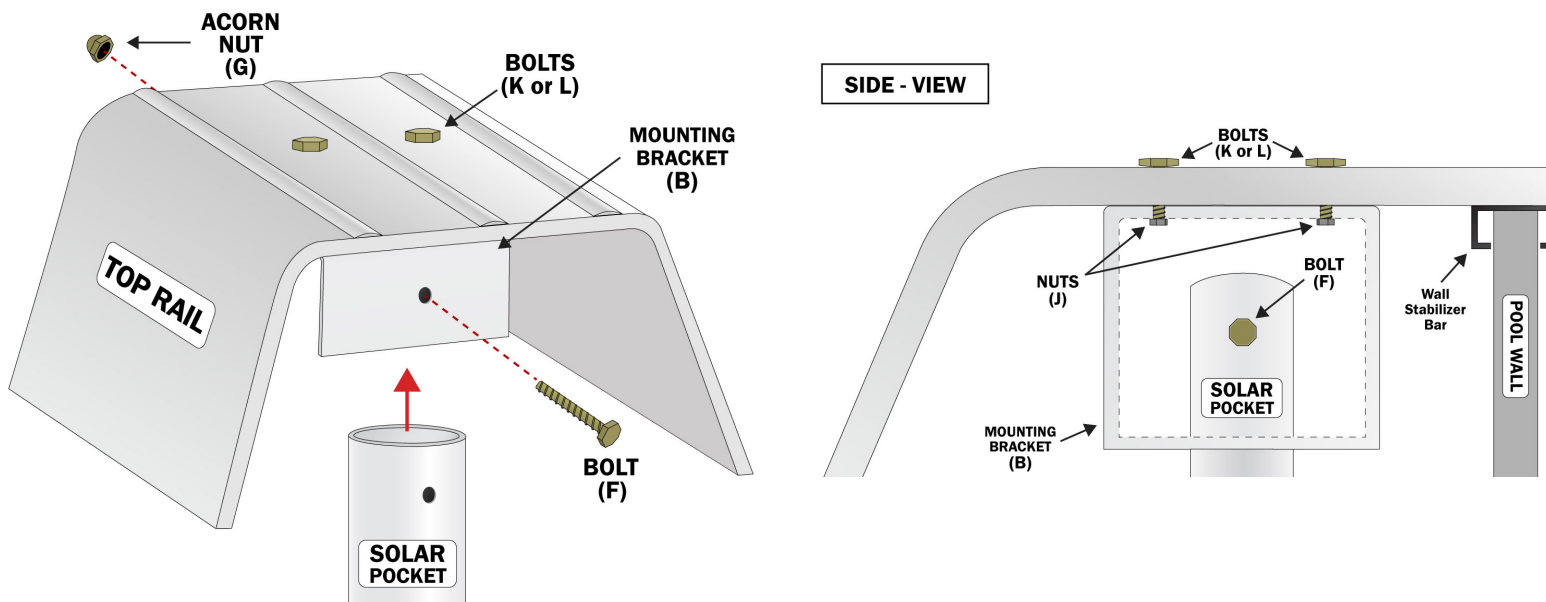
- 4.) To attach brackets #4 and #5, fan fold (see fig.1) solar cover and lay on ground where brackets #1, #2, and #3 have been mounted. This will give you the positioning for brackets #4 and #5.
- 5.) With cover laid out, measure 2 - 2½ ft back from edge of cover end. This will give you your positioning to mount brackets #4 and #5 (see fig.2) giving you the overlap needed to support your solar cover.

Please Note: for large size pools, you will need to overlap back up to 3ft of solar cover material.



Please Note: for large size pools, you will need to overlap back up to 3ft of solar cover material.

- 6.) Now secure assembled Solar Pocket™ tubes to each bracket by using ¼ x 2½” bolts (F) and ¼” acorn nuts (G)

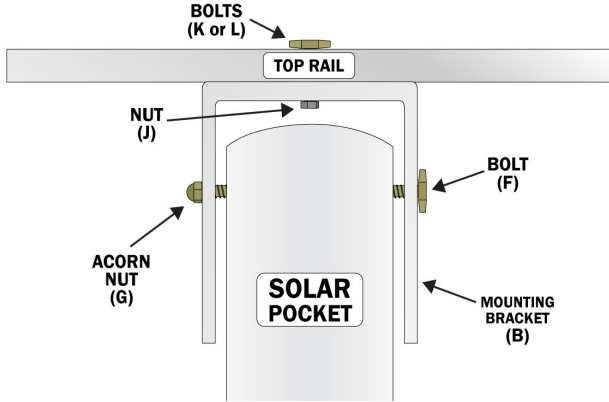


Please Note: For some covers that are larger, the ends can be folded in to store accordingly. If not, installation adjustments will need to be made.

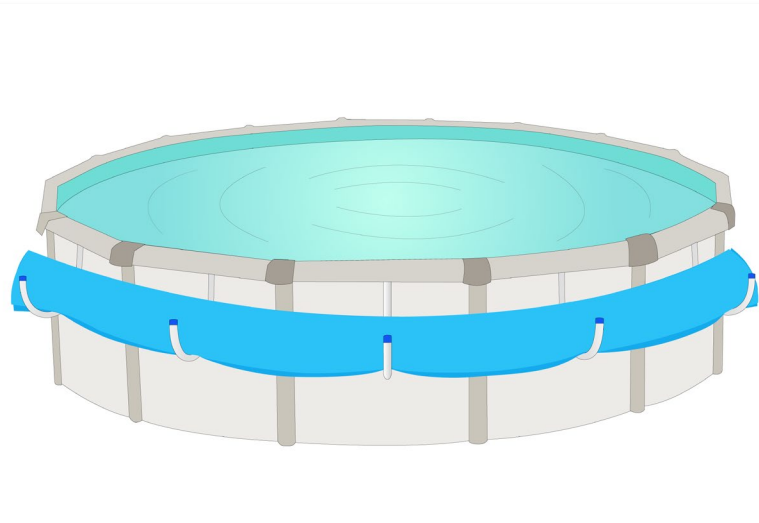
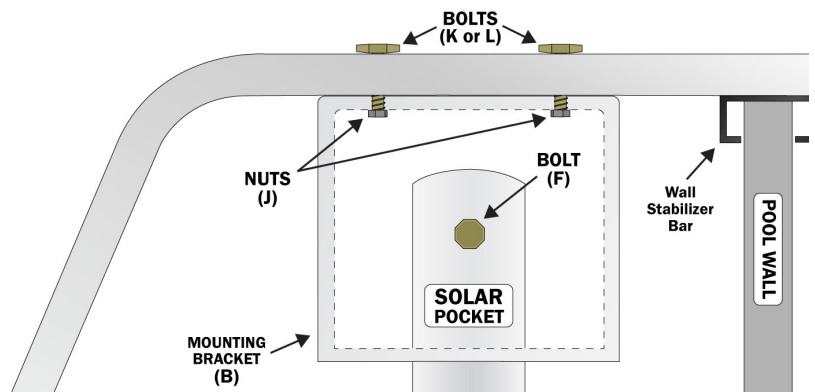
Spare parts are available from original point of purchase.

FINAL MOUNTED ASSEMBLY

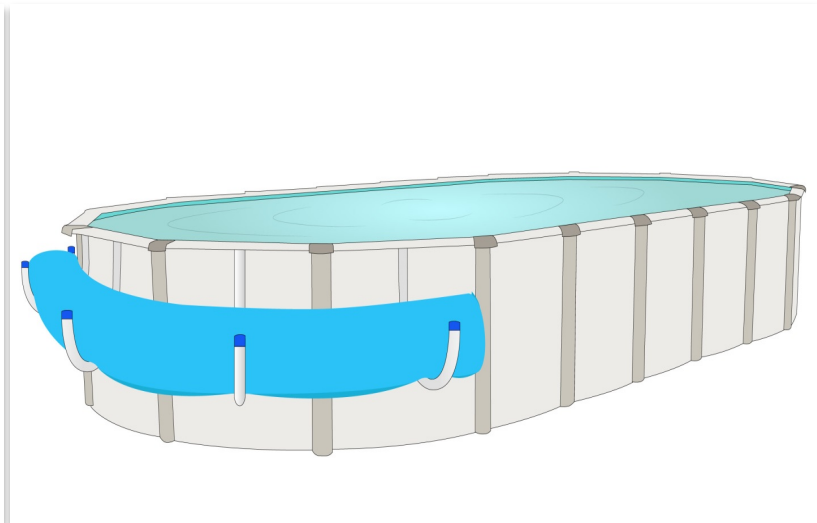
FRONT - VIEW



SIDE - VIEW



Round Pool



Oval Pool

Manufacturer's Limited Warranty

Millstream Distribution LLC guarantees this Solar Pocket™ to be free of manufacturer's defects in workmanship and material under normal use in accordance with installation and usage instructions.

What is not covered under this Warranty:

- Any use of this product contrary to the description or instruction manual will automatically void this Warranty.
- Damage cause by shipping, abusive / improper use, or incorrect installation.
- Excessive weight or force applied to the unit.
- Cost of shipping, replacement parts, or return shipping of complete unit.

Your Solar Pocket™ comes with a 90-day Limited Warranty, from the date of purchase. A proof of purchase must be provided for warranty claim.

Replacement parts or full units will be provided, at manufacturer's discretion if product is deemed defective. Note that the replacement of a part or full unit does not extend the Warranty.

THIS WARRANTY IS IN LIEU OF ALL OTHER EXPRESS WARRANTIES TO THE MAXIMUM EXTENT PERMITTED BY APPLICABLE LAW, MILLSTREAM DISTRIBUTION LLC AND ITS DISTRIBUTORS DISCLAIM ALL OTHER WARRANTIES AND CONDITIONS, EXPRESS OR IMPLIED, INCLUDING BUT NOT LIMITED TO THE IMPLIED WARRANTIES OF MERCHANTABILITY AND FITNESS FOR A PARTICULAR PURPOSE. REPLACEMENT OF DEFECTIVE PRODUCTS AS PROVIDED UNDER THIS WARRANTY IS YOUR EXCLUSIVE REMEDY. THE MANUFACTURER WILL NOT BE LIABLE IN CONTRACT OR TOR FOR ANY DIRECT, CONSEQUENTIAL, SPECIAL OR INCIDENTAL LOSS, INJURY OR DAMAGE ARISING OUT OF THE USE, MISUSE OR INABILITY TO USE THIS PRODUCT. THIS WARRANTY ONLY APPLIES TO THE ORIGINAL OWNER IS NOT TRANSFERABLE TO A SUBSEQUENT OWNER OF THE SOLAR POCKET.

Some states do not allow the exclusion or limitation of incidental or consequential damages, so the above limitation or exclusion may not apply to you. This Warranty gives you specific legal rights, and you may have additional rights, which vary from state to state.