

LittleGIANT

P. O. Box 12010
Oklahoma City, OK 73157-2010
Phone: 1.888.956.0000 • Fax: 1.405.228.1561
www.lg-outdoor.com

APCP-1700 POOL COVER PUMP 115V/60Hz

EN ENGLISH

This instruction sheet provides you with the information required to safely own and operate your product. Retain these instructions for future reference.

The product you have purchased is of the highest quality workmanship and material, and has been engineered to give you long and reliable service. This product has been carefully tested, inspected, and packaged to ensure safe delivery and operation. Please examine your item(s) carefully to ensure that no damage occurred during shipment. If damage has occurred, please contact the place of purchase. They will assist you in replacement or repair, if required.

READ THESE INSTRUCTIONS CAREFULLY BEFORE ATTEMPTING TO INSTALL, OPERATE, OR SERVICE YOUR PRODUCT. KNOW THE PRODUCT'S APPLICATION, LIMITATIONS, AND POTENTIAL HAZARDS. PROTECT YOURSELF AND OTHERS BY OBSERVING ALL SAFETY INFORMATION. FAILURE TO COMPLY WITH THESE INSTRUCTIONS COULD RESULT IN PERSONAL INJURY AND/OR PROPERTY DAMAGE!

SAFETY GUIDELINES



WARNING: To reduce the risk of injury, do not permit children to use this product unless they are closely supervised at all times.

WARNING: Risk of electric shock. Connect only to a grounding type receptacle protected by a ground-fault circuit interrupter (GFCI). Contact a qualified electrician if you cannot verify that the receptacle is protected by a GFCI.

WARNING: Do not bury cord. Locate cord to minimize damage from lawn mowers, hedge trimmers, and other equipment.

WARNING: To reduce the risk of electric shock, replace damaged cord immediately. Contact the manufacturer for replacement of the power cord.

WARNING: To reduce the risk of electric shock, do not use extension cord to connect pump to electric supply; provide a properly located outlet.

Never pump chemicals or corrosive liquids with this pump. This could damage the integrity of the enclosure and cause an electrical short. This pump has been evaluated for use with water only.

Never pump gasoline or other low flash point fluids with this pump. Explosion or fire could result. This pump has been evaluated for use with water only.

Do not run this pump dry. Running this pump without water may damage the integrity of the enclosures and cause electrical short.

If service is required, proceed carefully. The pump and surrounding areas may be covered with water. Never plug or unplug the device while standing in wet or damp surfaces. If necessary, remove power at the breaker panel or have certified electrician remove power before attempting to service. Serious or fatal shocks could result if proper procedures are not followed. Disconnect the power at the main electrical service box by switching the appropriate circuit breaker or removing fuse. In applications where screw type fuses are used, remove only the one hand while other hand or torso

is free from contact with anything. Do not stand in water or do not touch any other conductive surfaces.

Icy conditions can cause unnecessary wear on pump. When these conditions exist it is recommended, but not required, to remove the pump from the pool cover. Alternatively, if pump is left installed during these conditions, ensure power cord remains connected to a 115 VAC source.

PUMP SPECIFICATIONS								
			GALLONS PER HOUR					
VOLTS	AMPS	WATTS	1'	5'	10'	15'	20'	26'
115	2.2	270	1745	1540	1230	850	490	0

CAPACITY SIZING INFORMATION

The 1700 GPH performance was obtained through a 1 inch I.D. tube, with friction losses neglected. Using a 3/4" garden hose 50 foot long reduces this performance to approximately 500 gallons per hour due to friction losses in the hose. If your area frequently has heavy rainfalls, (1" - 2" per hour), it may be necessary to use 1" tubing. This should be available in most pool supply stores.

The number of gallons of water that your pool will collect in a rainfall of one inch per hour can be computed as follows: Cover overall length (ft.) x cover overall width (ft.) x .6234 = gallons per hour. **NOTE:** This is cover dimension, and not pool dimension.

Examples:

- A 16' x 32' pool cover would collect 319 gallons (16 x 32 x .6234 = 319) in 1 hour, in 1" per hour rain.
- A 20' x 40' pool cover would collect 499 gallons (20 x 40 x .6234 = 499) in 1 hour, in 1" per hour rain.

INSTALLATION



1. Verify that the electrical outlet to be used meets the requirements of the National Electrical Code (NEC), as well as local electrical codes including grounding and GFCI protection. Also verify that the outlet is properly sized and located for this pump. Your installation may require a certified electrician or plumber. See the ELECTRICAL CONNECTIONS section.
2. If necessary, check your plumbing codes to verify that final installation will be in compliance with their requirements.
3. Connect a garden hose to the hose adaptor, or use a 1" nipple and flexible PVC tubing secured to the pump discharge. **NOTE:** If flexible 1" PVC tubing is used, secure the free end so that it cannot blow back onto the pool cover in high wind.
4. Gently lower the pump onto the pool cover by holding onto the garden hose. Do not pull the power cord plug onto the pool cover. The pump is equipped with an eyelet opposite the discharge for attaching a positioning rope (not included). Use rope and a garden hose to position pump onto the pool cover. Two people should position the pump, with the first person holding the electrical cord plug and the second person positioning the pump at the desired location on the pool cover. The pump is equipped with an 18 AWG, 25-foot power cord with a 3-prong, grounding-type plug.
5. Once the pump is in position and proper electrical connections have been made, it is ready for testing. See the ELECTRICAL CONNECTIONS section.

During the rainy season, check daily to ensure that the pump is functioning properly. During high winds or excessive movement of the pool cover, be certain that the power supply cord has not been pulled onto the cover, and that the pump is still upright with the discharge hose properly positioned. If you plan to be away from your pool for an extended period, have someone periodically check your

60160816

pump to verify that everything is functioning properly. Be sure to review the SAFETY GUIDELINES and ELECTRICAL CONNECTIONS sections with them.

OPERATION



The water level switch is activated by a float mechanism. This is caused by water rising around the float with the pump resting upright. This switch relies upon buoyancy force of the float to activate. The switch should cause pump to come on when the water level is approximately 2"-3" deep. Pump should remain running until the water level is approximately .50"-1.50" deep. **NOTE:** Temperatures near freezing may cause the ON level to go as high as 4", and the OFF to be as high as 2".

ELECTRICAL CONNECTIONS



1. Your pump is supplied with a 3-prong electrical plug. The third prong grounds the pump to prevent possible electrical shock hazard. Do not remove the third prong from the plug.
2. A separate branch electrical circuit is recommended. The electrical power required is 5 amp at 115 VAC.
3. Be sure that electrical connection cannot be reached by rising water. Under no circumstances should the connection be located where it may become flooded or submerged by water.
4. Test the pump after all electrical connections have been made. Run water into area where pump is to be placed. Do not attempt to run the pump without water; this could cause damage to the pump. Fill the area to a normal ON level and allow the pump to remove water to a normal OFF level.

WARNING: Always disconnect the electrical power before touching the pump, discharge, or electrical plug when water is present in

the area. Failure to do so can result in serious bodily injury and/or property damage. Always connect the pump to a grounded receptacle. See SAFETY GUIDELINES.

SERVICE INSTRUCTIONS



WARNING: Before servicing pump, disconnect it from electrical service, unplug cord, remove fuse, or turn off disconnect box.

The motor housing of the pump is completely sealed and requires no service. Disassembly of the motor housing or alteration of the power cord voids all warranty.

The motor is a continuous duty type with an automatic thermal overload protector device.

The pump can run against a restricted discharge without damage to the pump.

Keep pump clean and in a well maintained condition at all times. Pump should be thoroughly cleaned for summer storage.

If float becomes stuck, remove the float access cap on the bottom of the pump. Remove cap by turning towards the "OPEN" arrow as indicated on the cap. Clean as needed, then reinstall access cap.

This pump has an internal vent hole to prevent an air-lock condition. Periodically the vent hole can become obstructed and will require cleaning according to Figure 1 and the following steps:

1. Disconnect the pump from electrical service.
2. Loosen and remove the five screws from the outer blue cover. (**NOTE:** Only four of the five screws are shown in Figure 1.)
3. Remove the outer cover.
4. Clean debris from the vent hole.
5. Re-install the outer cover and screws.
6. Re-connect the pump to electrical service.

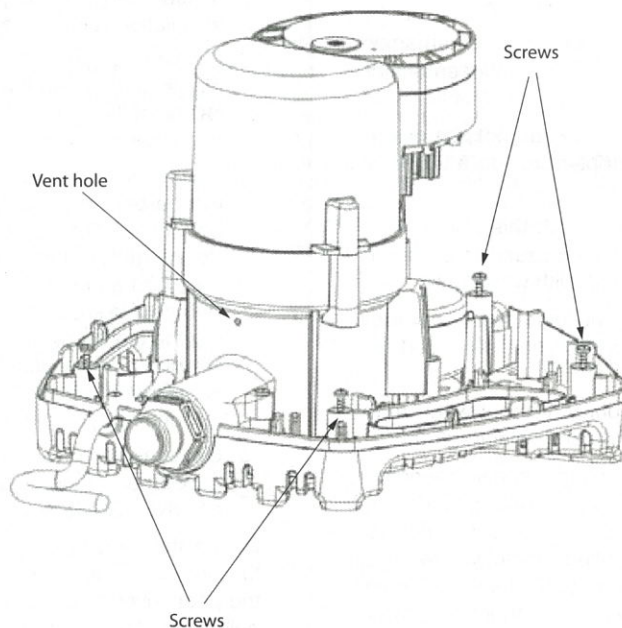


FIGURE 1

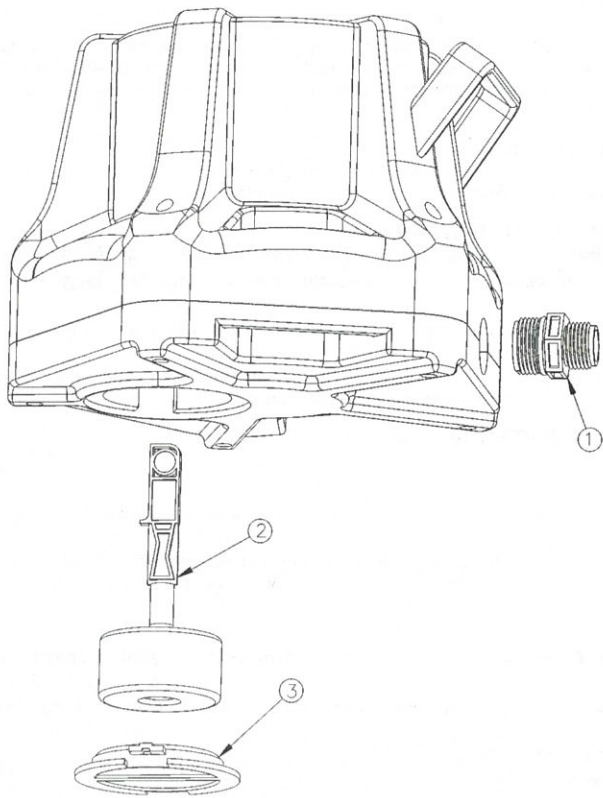


FIGURE 2

REPLACEMENT PARTS			
Item No.	Part No.	Description	Qty.
1	177343	Garden hose adapter	1
2	177344	Float/stem assembly	1
3	177345	Float access cover	1

TROUBLESHOOTING INFORMATION		
SYMPTOM	CAUSE	REMEDY
Pump will not shut off.	Stuck float.	Clean area around float.
	Defective switch.	Contact factory.
	Pump is air locked.	Shut power off for approximately 1 minute, then restart. Repeat several times to clear air from pump.
	Liquid inflow matches or exceeds pump capacity.	Larger pump required, or multiple pumps. See capacity sizing information.
	Frozen water in discharge hose.	Thaw hose or replace hose.
Pump runs but will not discharge liquid.	Lift too high for pump.	Check pump specifications table.
	Inlet to impeller plugged.	Pull pump and clean.
	Pump is air locked.	Shut power off for approximately 1 minute, then restart the pump. Repeat several times to clear air from the pump. If this does not resolve the problem, the vent hole might be blocked. Clean the hole according the SERVICE INSTRUCTIONS section.
	Frozen water in discharge hose.	Thaw hose or change out.
Pump does not deliver rated capacity.	Lift too high for pump.	Check rated pump performance.
	Low voltage, speed too slow.	Check for proper supply voltage, ensuring that it corresponds to nameplate voltage.
	Impeller or discharge pipe is clogged.	Pull pump and clean. Check pipe for scale or corrosion.
Pump cycles continually.	No check valve in long discharge pipe allowing liquid to drain back onto cover.	Install a check valve in discharge line.
	Check valve leaking.	Inspect check valve for correct operation.
	Switch failed.	Have pump serviced.
	Volute clogged.	Clean screen and basket.
	Switch float stuck.	Remove access screen and clean debris from float.
	Motor failure.	Have pump serviced.
	Thermal protector activated.	Allow pump to cool.
GFCI device activated.	Inspect all electrical connections and reset GFCI.	

LIMITED WARRANTY

This warranty sets forth the Company's sole obligation and purchaser's exclusive remedy for defective product.

Franklin Electric Company, Inc. and its subsidiaries (hereafter "the Company") warrants that the products accompanied by this warranty are free from defects in materials or workmanship of the Company that exist at the time of sale by the Company and which occur or exist within the applicable warranty period. Any distributor, sub-distributor, recipient, end-user and/or consumer agrees that by accepting the receipt of the products, the distributor, sub-distributor, recipient, end user and/or consumer expressly agrees to be bound by the terms of the warranty set forth herein.

I. APPLICABLE WARRANTY PERIOD

The products accompanied by this warranty shall be covered by this Limited Warranty for a period of 36 months from the date of original purchase by the consumer. In the absence of suitable proof of purchase date, the warranty period of this product will begin to run on the product's date of manufacture.

II. INSTRUCTIONS APPLICABLE TO THIS LIMITED WARRANTY

1. Consumers wishing to submit a warranty claim must return the products accompanied by this warranty to the point of purchase for warranty consideration.
2. Upon discovery of a defect, any personal injury, property damage or any other type of resulting damage, if applicable, shall be reasonably mitigated to the extent possible.
3. At its discretion, the Company may inspect products either at its facilities, or in the field, and after determination of a warranty claim, will, at its option, repair or replace defective parts. Repaired or replaced parts will be returned freight prepaid by the Company.
4. This warranty policy does not cover any labor or shipping charges. The Company shall not be liable for any costs or charges attributable to any product testing, maintenance, installation, repair or removal, or for any tools, supplies, or equipment needed to install, repair, or remove any product.

III. LIMITATIONS APPLICABLE TO THIS LIMITED WARRANTY

THIS WARRANTY DOES NOT APPLY TO ANY OF THE FOLLOWING:

1. Brushes, impeller or cam on models with brush-type motors and/or flex-vane impellers.
2. Any product that is not installed, applied, maintained and used in accordance with the Company's published instructions, applicable codes, applicable ordinances and/or with generally accepted industry standards.
3. Any product that has been subject to misuse, misapplication, neglect, alteration, accident, abuse, tampering, acts of God (including lightning), acts of terrorism, acts of war, fire, improper storage or installation, improper use, improper maintenance or repair, damage or casualty, or to an excess of the recommended maximums as set forth in the product instructions.
4. Any product that is operated with any accessory, equipment, component, or part not specifically approved by the Company.
5. Use of replacement parts not sold by the Company, the unauthorized addition of non-Company products to other Company products, and the unauthorized alteration of Company products.
6. Products damaged by normal wear and tear, normal maintenance services and the parts used in connection with such service, or any other conditions beyond the control of the Company.
7. Any product that has been used for purposes other than those for which it was designed and manufactured.
8. Any use of the product where installation instructions and/or instructions for use were not followed.
9. Products connected to voltage other than indicated on nameplate.
10. Products where the pump was exposed to any of the following: sand, gravel, cement, grease, plaster, mud, tar, hydrocarbons, hydrocarbon derivatives (oil, gasoline, solvents, etc.) or other abrasive or corrosive substances.
11. Products in which the pump has been used to pump or circulate anything other than fresh water at room temperature.
12. Products in which the pump was allowed to operate dry (fluid supply cut off).
13. Products in which the sealed motor housing has been opened or the product has been otherwise dismantled by customer.
14. Products in which the cord has been cut to a length of less than three feet.

The Company reserves the right at any time, and from time to time, to make changes in the design and/or improvements upon its product without thereby imposing any obligation upon itself to make corresponding changes or improvements in or upon its products already manufactured and/or previously sold. The Company further reserves the right to substitute parts or components of substantially equal quality in any warranty service required by operation of this Limited Warranty.

This written Limited Warranty is the entire warranty authorized and offered by the Company. There are no warranties or representations beyond those expressed in this document.

THIS WARRANTY AND REMEDY IS IN LIEU OF ALL OTHER WARRANTIES AND REMEDIES INCLUDING WITHOUT LIMITATION, WARRANTIES OF MERCHANTABILITY AND/OR FITNESS FOR A PARTICULAR PURPOSE, WHICH ARE HEREBY SPECIFICALLY DISCLAIMED AND EXPRESSLY EXCLUDED. CORRECTION OF NON-CONFORMITIES, IN THE MANNER AND FOR THE PERIOD OF TIME AS SET FORTH ABOVE, SHALL CONSTITUTE FULFILLMENT OF ALL LIABILITY OF THE COMPANY TO THE PURCHASER WHETHER BASED ON CONTRACT, NEGLIGENCE, OR OTHERWISE.

THE COMPANY SHALL NOT BE LIABLE FOR INCIDENTAL, CONSEQUENTIAL OR SPECIAL DAMAGES SUCH AS, BUT NOT LIMITED TO:

DAMAGE TO OR LOSS OF OTHER PROPERTY OR EQUIPMENT, LOSS OF USE OF EQUIPMENT, FACILITIES OR SERVICE, LOSS OF PROFIT OR SALES, COST OF PURCHASES OR REPLACEMENT GOODS, CLAIMS OF CUSTOMERS OF THE PURCHASER, FAILURE TO WARN AND/OR INSTRUCT, LOSS OF OTHER PRODUCTS, OR COSTS OF ENVIRONMENTAL REMEDIATION, OR DIMINUTION IN PROPERTY VALUE. THE REMEDIES OF THE PURCHASER SET FORTH HEREIN ARE EXCLUSIVE, AND THE LIABILITY OF THE COMPANY SHALL NOT, EXCEPT AS EXPRESSLY PROVIDED HEREIN, EXCEED THE PRICE OF THE PRODUCTS UPON WHICH SUCH LIABILITY IS BASED. DAMAGES AS SET FORTH IN THIS PARAGRAPH SHALL BE REASONABLY MITIGATED TO THE EXTENT POSSIBLE. THIS PARAGRAPH SHALL ALSO APPLY TO ALL DAMAGES RESULTING FROM CONDITIONS SET FORTH IN SECTION III ABOVE AND (1) DEFECTS IN PRODUCT PROTOTYPES OR REPLACEMENT PART PROTOTYPES THAT HAVE NOT BEEN PUT INTO PRODUCTION, CIRCULATED AND SOLD BY THE COMPANY, AND/OR (2) DEFECTS THAT WERE NOT FOUND AT THE TIME OF SALE DUE TO SCIENTIFIC AND TECHNOLOGICAL REASONS.

This Limited Warranty gives you specific legal rights. You may have other rights, which vary according to the applicable laws and regulations. Where any term of this warranty is prohibited by such laws, it shall be null and void, but the remainder of this warranty shall remain in full force and effect.

DISCLAIMER: Any oral statements about the product made by the seller, the Company, the representatives or any other parties, do not constitute warranties, shall not be relied upon by the user, and are not part of the contract for sale. Seller's and the Company's only obligation, and buyer's only remedy, shall be the replacement and/or repair by the Company of the product as described above. Before using, the user shall determine the suitability of the product for his intended use, and user assumes all risk and liability whatsoever in connection therewith.

For technical assistance, parts, or repair,
please contact 1.888.956.0000

www.lg-outdoor.com