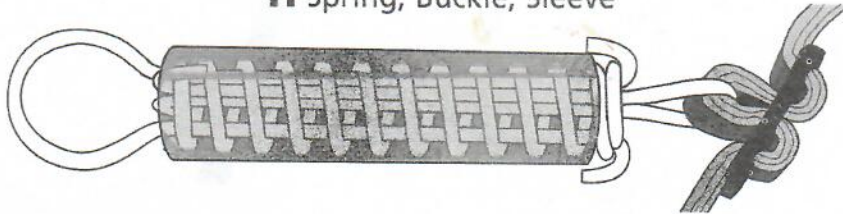


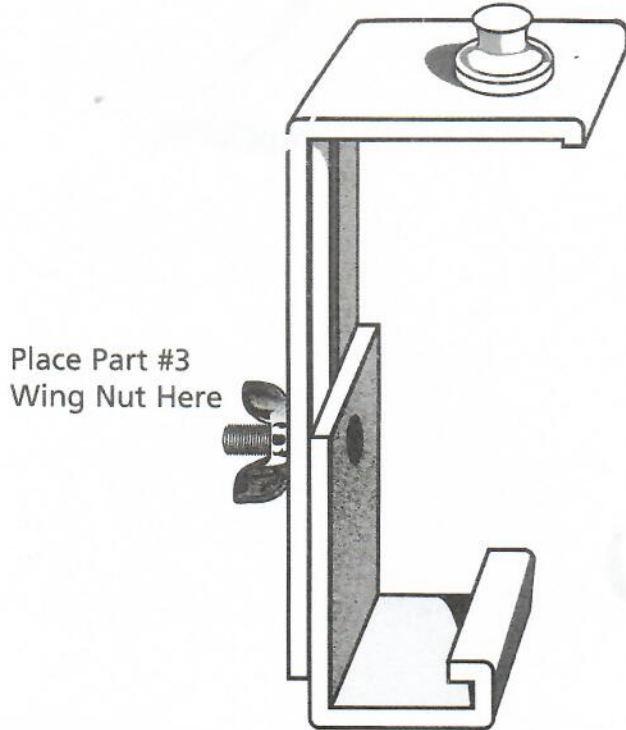
# DECK-LOCK™ ON GROUND COVER

## PARTS LIST

1. Spring, Buckle, Sleeve



2. Bracket

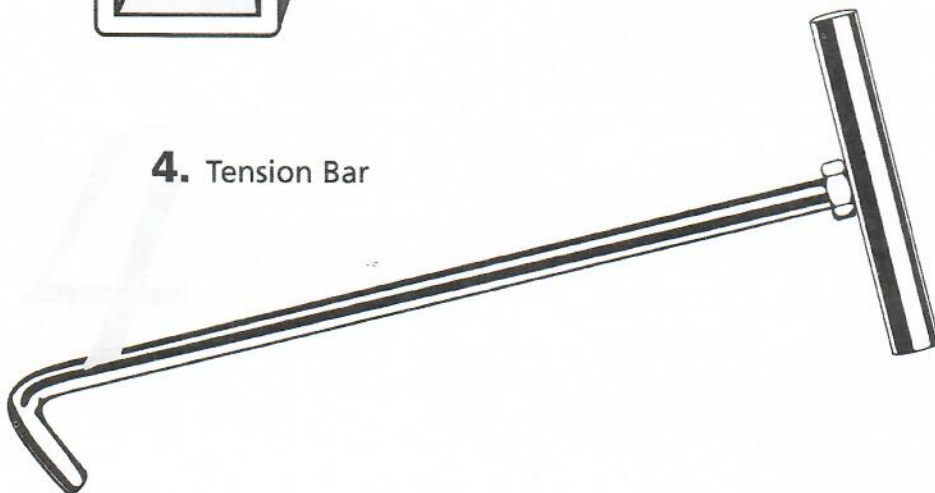


Place Part #3  
Wing Nut Here

3. Wing Nut



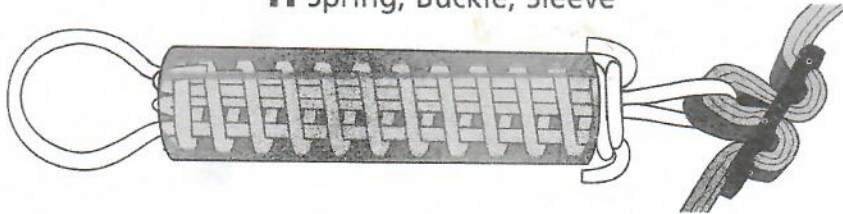
4. Tension Bar



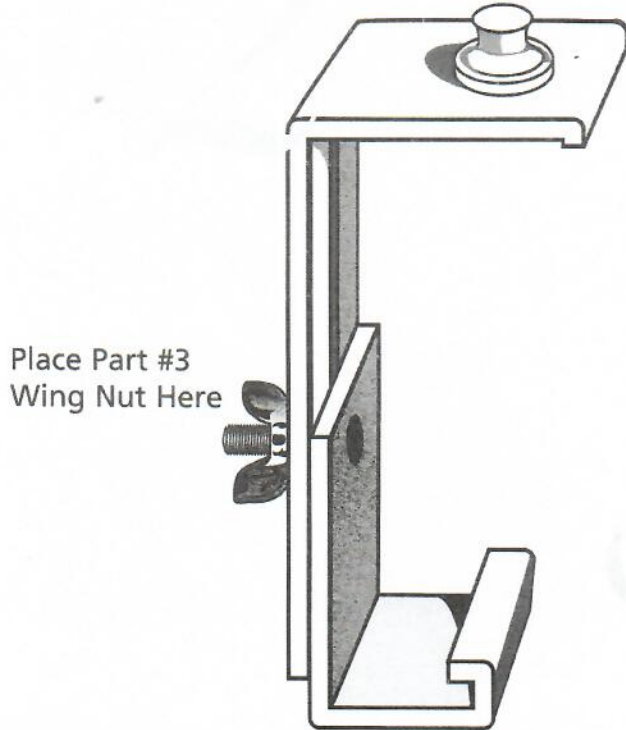
# DECK-LOCK™ ON GROUND COVER

## PARTS LIST

1. Spring, Buckle, Sleeve



2. Bracket



Place Part #3  
Wing Nut Here

3. Wing Nut



4. Tension Bar

