

SECTION A-A  
SCALE 1 : 8

ITEM NO.	PART NUMBER	DESCRIPTION	QTY.
1	50-785E (10.20.20)	LADDER SIDE	2
2	LTDF-101	STEP	3
3	WRB-100A	White Rubber Bumper 1.9" Male	2
4	5-167	CRADLE HEAD BOLT, 3/8" UNC X 3-1/4" LG, SS	6
5	5-145-MG	3/8" X 7/8" FLAT WASHER 316 SS	6
6	05-139-MG	3/8" NUT, 316SS	6

UNLESS OTHERWISE SPECIFIED  
DIMENSIONS ARE IN INCHES,  
TOLERANCES ARE:  
FRACTIONAL: ..... ±1/16  
ANGULAR: ..... ±1°  
TWO PLACE DECIMAL: .... ±.06  
THREE PLACE DECIMAL: .. ±.031

DESCRIPTION: ECON 3-STEP LADDER	
MATERIAL: VARIOUS	
PART NO.: 50-785E (10.20.20)	REV. A
DRAWN BY: DTJ	DATE: 10/20/20
CHECKED BY:	DATE:



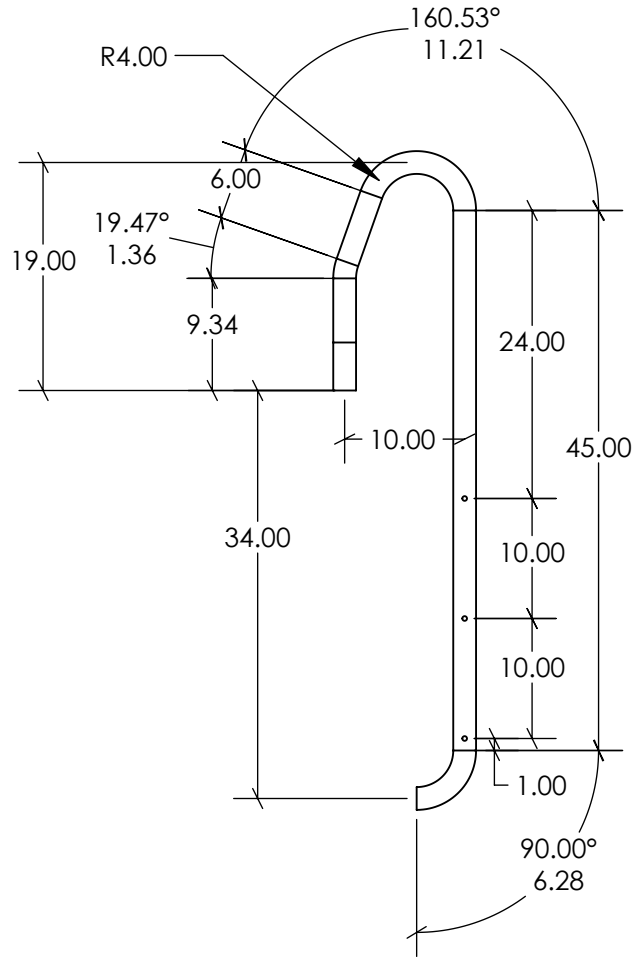
P.O. BOX 400 - 1017 S.W. BERG PARKWAY  
CANBY, OREGON 97013  
PHONE (503) 266-2231

2

1

B

B



TUBING CUT LENGTH: 88.25"

A

A

**PROPRIETARY AND CONFIDENTIAL**  
 THE INFORMATION CONTAINED IN THIS DRAWING IS THE SOLE PROPERTY OF <INSERT COMPANY NAME HERE>. ANY REPRODUCTION IN PART OR AS A WHOLE WITHOUT THE WRITTEN PERMISSION OF <INSERT COMPANY NAME HERE> IS PROHIBITED.

		UNLESS OTHERWISE SPECIFIED:		NAME	DATE
		DIMENSIONS ARE IN INCHES	DRAWN		11/30/18
		TOLERANCES:	CHECKED		
		FRACTIONAL ±	ENG APPR.		
		ANGULAR: MACH ± BEND ±	MFG APPR.		
		TWO PLACE DECIMAL ±	Q.A.		
		THREE PLACE DECIMAL ±	COMMENTS:		
		INTERPRET GEOMETRIC TOLERANCING PER:			
		MATERIAL			
NEXT ASSY	USED ON	FINISH			
APPLICATION		DO NOT SCALE DRAWING			

TITLE:		
<b>LADDER SIDE</b>		
SIZE	DWG. NO.	REV
<b>5A</b>	<b>785E (10.20.20)</b>	<b>A</b>
SCALE: 1:16 WEIGHT:		SHEET 2 OF 2

2

1